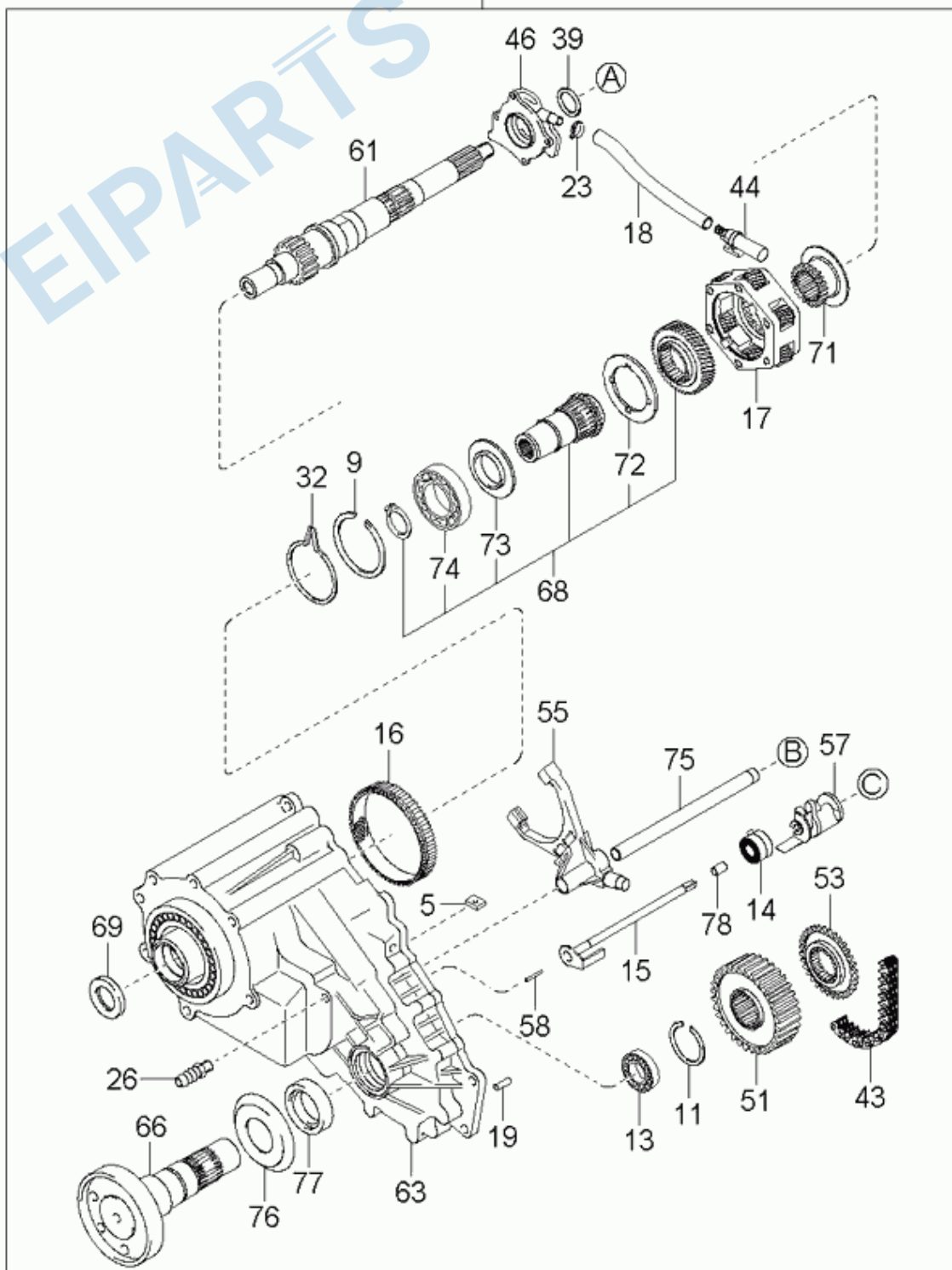


NOTE
THE NO. 1 : ①~②



②

VEIPARTS

