

Transfer Case PL72 T

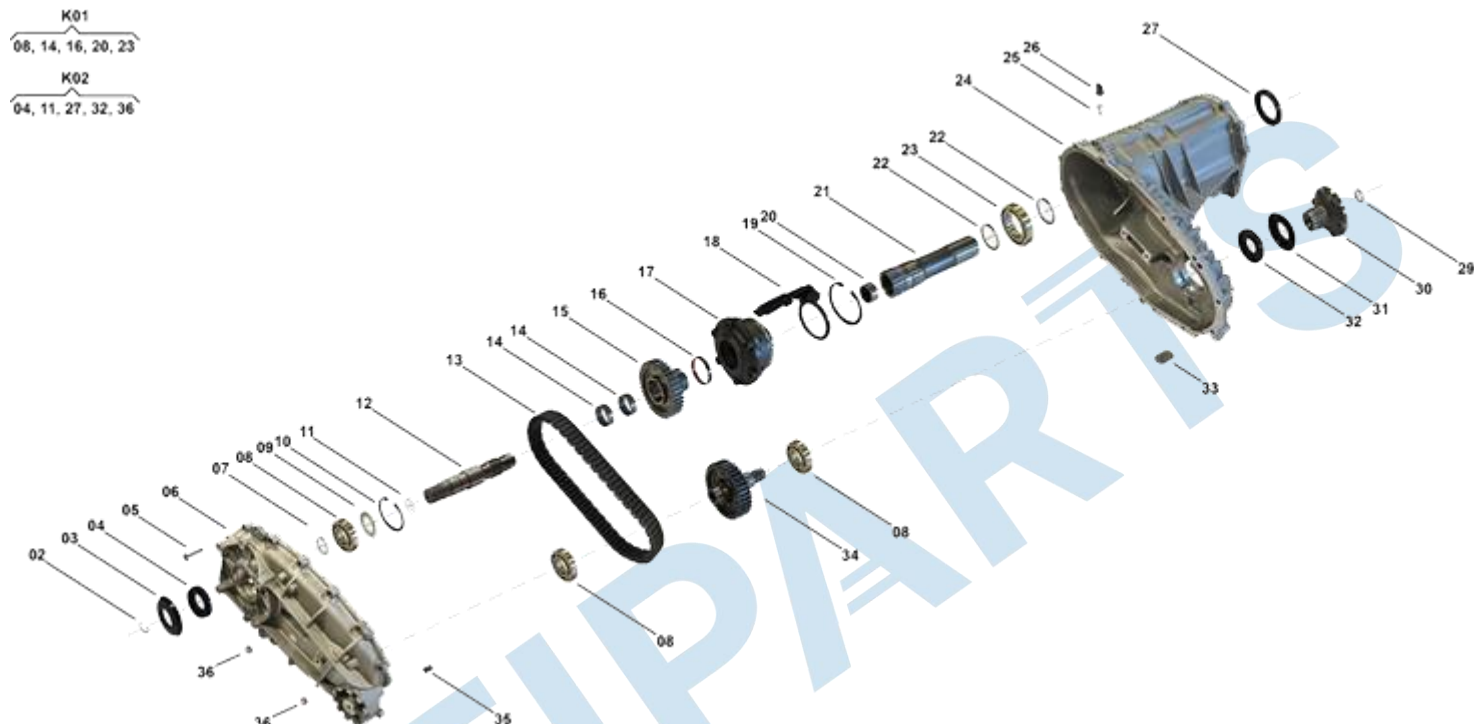
TC00302, TC00304, TC00306

OEM No: 0BU341010N; 0BU341010P; 0BU341010Q

Brands

Brand	Modelseries
Audi	Q7

List of parts



Pos	Part number	OEM no	Quantity	Product name	Info
'K01	SP00227		1 piece	Bearing Kit	Contains position 08, 14, 16, 20, 23
'K02	SP01987		1 piece	Sealing Kit	Contains position 04, 11, 27, 32, 36 Information for PL72 T VW: Used in 0BU341010P
02	SP01988	7P0521202; 95834949300	1 piece	Retaining Ring	
03	SP00565	0BU409375; 95834137500	1 piece	Slinger	Information for PL72 T VW: Only 1pce used in OE code 0BU341010P, 0BU341011N
04	SP01991	0BU321199; 95834119900	1 piece	Radial Sealing	
05	SP01217		16 pieces	Screw	
06	Not available		1 piece	Housing Rear	
07	SP01222		1 piece	Retaining Ring	
08	Only available in K01		3 pieces	Ball Bearing	
09	SP01228		1 piece	Shim	
10	SP01156		1 piece	Retaining Ring	
11	SP00561	WHT005156	1 piece	Seal O-Ring	
12	SP01849		1 piece	Main Shaft	Information for PL72 T VW: Used in 0BU341010P, 0BU341011F, 0BU341011M, 0BU341011Q, 0BU341011R, 0BU341011S

Transfer Case PL72 T

TC00302, TC00304, TC00306

OEM No: 0BU341010N; 0BU341010P; 0BU341010Q

List of parts

Pos	Part number	OEM no	Quantity	Product name	Info
13	SP01839		1 piece	Chain (Dimension 1")	<p>Information for PL72 T Audi: Used in 0BU341010N, 0BU341010Q</p> <p>Information for PL72 T Porsche: Used in 95834102001 - 95834102003, 95834102011</p> <p>Information for PL72 T VW: Used in 0BU341010B, 0BU341010C, 0BU341010D, 0BU341010F, 0BU341010M, 0BU341010R, 0BU341010S, 0BU341010T, 0BU341011A, 0BU341011C, 0BU341011G, 0BU341011H, 0BU341011N, 0BU341011Q, 0BU341011R, 0BU341011S</p>
13	SP01840		1 piece	Chain (Dimension 1,25")	<p>Information for PL72 T Audi: Used in 0BU341010P</p> <p>Information for PL72 T Porsche: Used in 95834102012, 0BU341011D</p> <p>Information for PL72 T VW: Used in 0BU341010E, 0BU341010P, 0BU341011_, 0BU341011D, 0BU341011E, 0BU341011F, 0BU341011K, 0BU341011M, 0BU341011P</p>
14	Only available in K01		2 pieces	Needle Bearing	
15	SP01850		1 piece	Sprocket (Dimension 1")	<p>Information for PL72 T Audi: Used in 0BU341010N, 0BU341010Q</p> <p>Information for PL72 T Porsche: Used in 95834102001 - 95834102003, 95834102011</p> <p>Information for PL72 T VW: Used in 0BU341010B, 0BU341010C, 0BU341010D, 0BU341010F, 0BU341010M, 0BU341010R, 0BU341010S, 0BU341010T, 0BU341011A, 0BU341011C, 0BU341011G, 0BU341011H, 0BU341011N, 0BU341011Q, 0BU341011R, 0BU341011S</p>
15	SP01851		1 piece	Sprocket (Dimension 1,25")	<p>Information for PL72 T Audi: Used in 0BU341010P</p> <p>Information for PL72 T Porsche: Used in 95834102012, 0BU341011D</p> <p>Information for PL72 T VW: Used in 0BU341010E, 0BU341010P, 0BU341011_, 0BU341011D, 0BU341011E, 0BU341011F, 0BU341011K, 0BU341011M, 0BU341011P</p>
16	Only available in K01		1 piece	Bearing Bushing	
17	Not available		1 piece	Differential ASM	
18	Not available		1 piece	Deflector	
19	SP00317		1 piece	Locking Ring	
20	Only available in K01		1 piece	Needle Bearing	
21	SP01843		1 piece	Shaft Input	<p>Information for PL72 T Audi: Used in 0BU341010Q</p>

Transfer Case PL72 T

TC00302, TC00304, TC00306

OEM No: 0BU341010N; 0BU341010P; 0BU341010Q

List of parts

Pos	Part number	OEM no	Quantity	Product name	Info
21	SP01854		1 piece	Shaft Input	Information for PL72 T Audi: Used in 0BU341010N Information for PL72 T Porsche: Used in 95834102003 Information for PL72 T VW: Used in 0BU341011Q
21	SP01857		1 piece	Shaft Input	Information for PL72 T Audi: Used in 0BU341010P Information for PL72 T VW: Used in 0BU341010P, 0BU341011F, 0BU341011R, 0BU341011S
22	SP01219		2 pieces	Retaining Ring	
23	Only available in K01		1 piece	Ball Bearing	
24	Not available		1 piece	Housing Front	
25	SP00557	01R525095; 95834139500	1 piece	Vent Pipe	
26	SP00556	017525093; 95834139300	1 piece	Vent Cap	
27	SP01990	0BU321199B; 95834119920	1 piece	Radial Seal Ring	
29	SP01115	0BU311321A	1 piece	Retaining Ring	Information for PL72 T VW: Used in 0BU341010P
30	SP01841	0BU341271B	1 piece	Flange	Information for PL72 T VW: Used in 0BU341010P
31	SP01846	0BU409375B	1 piece	Slinger	Information for PL72 T VW: Used in 0BU341010P, 0BU341011N
32	SP01989	0BU321199A; 95834119910	1 piece	Radial Seal Ring	
33	SP01216		1 piece	Magnet	Information for PL72 ATC: Used in 95834101006 - 95834101008, 95834101016 - 95834101018, 95834101025 - 95834101027, 95834101031 - 95834101033 Information for PL72 T Audi: Used in 0BU341010N, 0BU341010P, 0BU341010Q Information for PL72 T Porsche: Used in 95834102003, 95834102012 Information for PL72 T VW: Used in 0BU341010P, 0BU341011E, 0BU341011F, 0BU341011K, 0BU341011M, 0BU341011N, 0BU341011Q, 0BU341011R, 0BU341011S

Transfer Case PL72 T

TC00302, TC00304, TC00306

OEM No: 0BU341010N; 0BU341010P; 0BU341010Q

List of parts

Pos	Part number	OEM no	Quantity	Product name	Info
33	SP01998	01Z525615		Magnet	Information for PL72 ATC: Used in 95834101001 - 95834101005, 95834101011 - 95834101015, 95834101020 - 95834101024, 95834101030 Information for PL72 T Audi: Used in 0BU341010N, 0BU341010P, 0BU341010Q Information for PL72 T Porsche: Used in 95834102001, 95834102002, 95834102011 Information for PL72 T VW: Used in 0BU341010B, 0BU341010C, 0BU341010D, 0BU341010E, 0BU341010F, 0BU341010M, 0BU341010P, 0BU341010R, 0BU341010S, 0BU341010T, 0BU341011_, 0BU341011A, 0BU341011C, 0BU341011D, 0BU341011G, 0BU341011H, 0BU341011P
34	SP01852		1 piece	Sprocket Output (Dimension 1")	Information for PL72 T Audi: Used in 0BU341010N, 0BU341010Q
34	SP01853		1 piece	Sprocket Output (Dimension 1,25")	Information for PL72 T Audi: Used in 0BU341010P Information for PL72 T VW: Used in 0BU341010P
35	SP00155		2 pieces	Pin	
36	SP01992	0BU301125; 673002083; 95530111501; A0029909617	2 pieces	Plug	
	SP02000		1 piece	Sealant	Sealant SILICON BLACK (1pce = 300ml)